

V-1400IJ

Overview

The most reliable and safest continuous IJ feeder in the market today! Streamfeeder's V-1400IJ is capable of feeding a wide variety of flat and multi-thickness products consistently at high speeds with exceptional alignment qualities.

The importance of straight feeding and minimizing skewing can help improve USPS® MERLIN™ verification results, leading to significant savings for you.

Standard Features

- Repositionable feed belts
- Patented side guide hopper adjust
- Extended guides for product squaring
- Two moveable separators
- Long lasting natural gum rubber feed belts
- Variable speed control (local and remote)
- Run enable interface
- Heavy-duty construction
- Powder-coated steel frame
- Adjustable product support rods

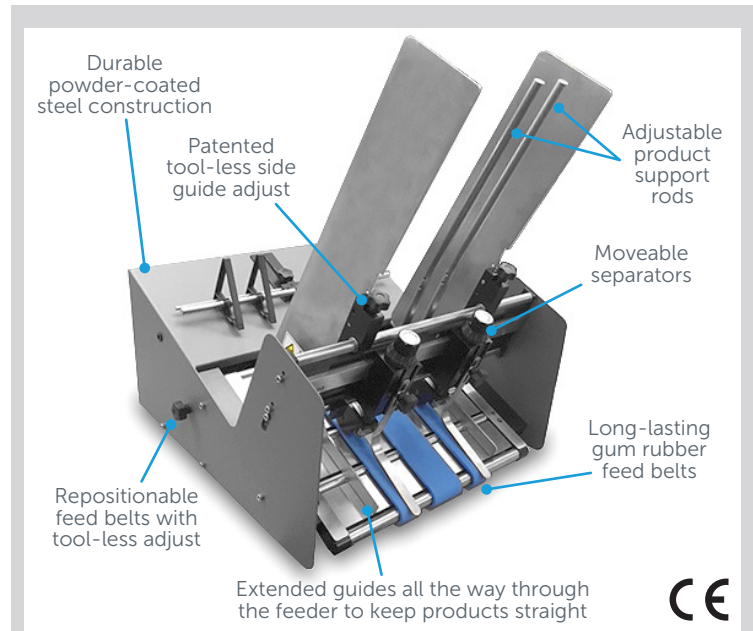
Applications

- Addressing
- Labeling
- Tabbing
- Coding
- Verification
- Printing
- Inkjet Bases
- Scanning
- Tip-On
- Folding

Products

- Brochures
- Business Cards
- Cardstock
- C-Folds
- Envelopes
- Flat Cartons
- Foil Pouches
- Manuals
- Payment Booklets
- Plastic Cards
- Post Cards
- Sheet Paper
- Tyvek Pouches
- Z-Folds

Contact our experienced sales team today for a comprehensive review of your application/product and see how our V-1400IJ can benefit your company.



Specifications	
Maximum Product Size	14" wide x 18" long (355 x 457 mm)
Minimum Product Size	2.5" wide x 3" long (63.5 x 76.2 mm)
Min/Max Product thickness	.003" - 1.0" (.076 - 25.4 mm)
Belt Speed	7,800 in/min (198 m/min)
Utilities	115/230vac, 50/60Hz, 3A
Weight	47 lbs. (21.32 kg)
Warranty	Two year limited
Other sizes and thickness capabilities available.	

AMBEC | CBI | Fleetwood | Goldco | Nigrelli | Streamfeeder | SWF | Thiele | Tisma

